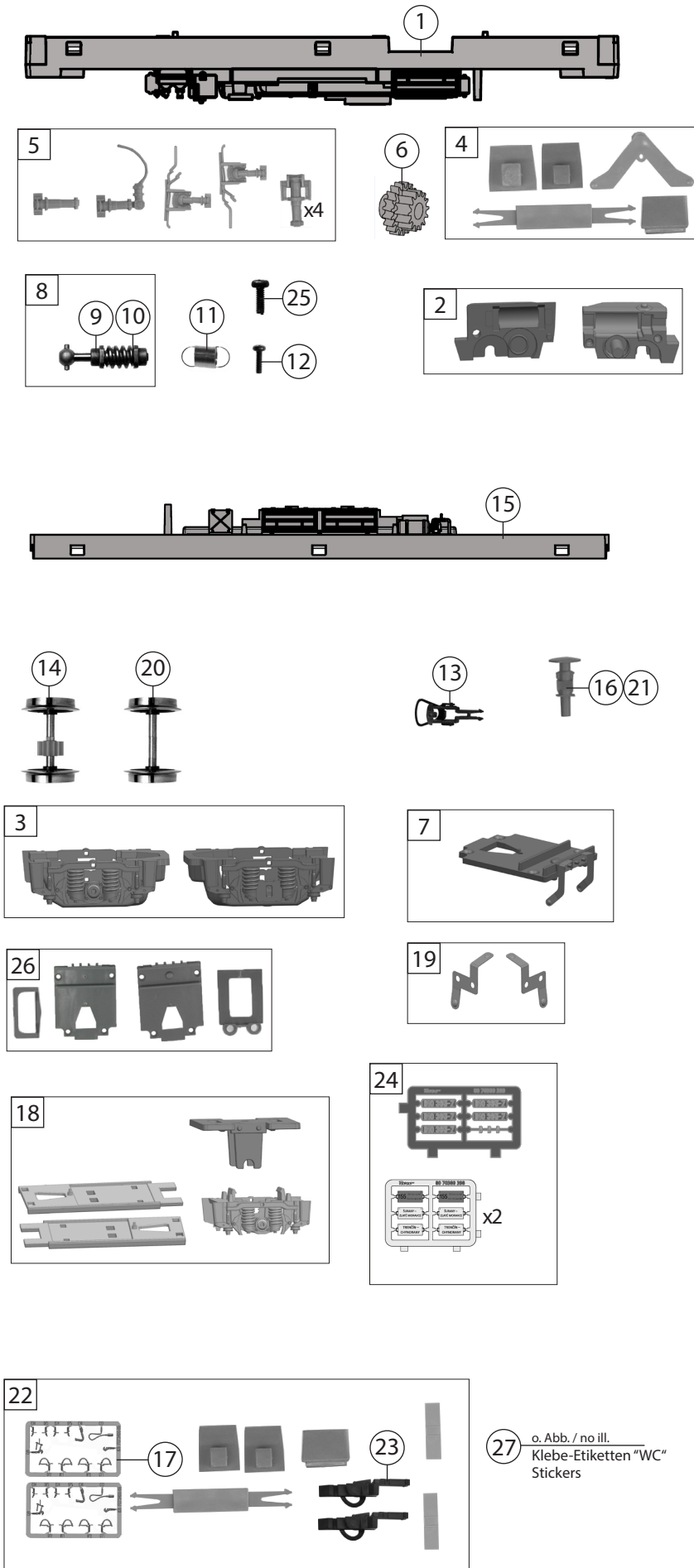


| Pos. Nr. Pos.no. | Beschreibung Description | Art.-Nr. Art.no. | Preisgruppe Price bracket |
|---------------------|---|---------------------|------------------------------|
| 70380 | SK-ZSSK M 152 | | |
| 70381 | | | |
| 1 | Gehäuse MW kpl. Betr. nr. 810 365-7 Body complete Loco no. 810 365-7 | 148625 | 34 |
| 2 | Gehäuse BW kpl. Betr. nr. 011 869-5 Body complete Loco no. 011 869-5 | 148631 | 34 |
| 3 | TS - Sitze TW + BW Part set - Seats | 145139 | 9 |
| 4 | Rahmendeckel MW+BW Frame cover | 148618 | 8 |
| 5 | TS - Leitung, Kessel Part set - Lines,tank | 148619 | 7 |
| 6 | Inneneinrichtung MW Interior fittings | 145138 | 17 |
| 7 | Tritt Li+Re Treadle L+R | 145143 | 6 |
| 8 | E-Lokführer Loco-driver | 126797 | 6 |
| 9 | Platine analog MW PLUX-22 PCB analog | 149113 | 21 |
| 10 | Platine Innenbel. TW/BW PCB interior lights | 145150 | 18 |
| 11 | Brückenstecker TVS PLUX-16 Jumper | 133241 | 10 |
| 12 | Motor KM Schwungm.+2 Kardansch. Motor with flywheel+2 cardan reception | 145151 | 17 |
| 13 | Pfeife Whistle | 145389 | 5 |
| 14 | Puffergriffe Buffer handles | 148632 | 5 |
| 15 | TS - Fenster MW/BW Part set - Windows | 145386 | 18 |
| 16 | Lichtnagel Light pin | 145155 | 3 |
| 17 | Scheibenwischer Li.+Re. Wipers L+R | 146972 | 6 |
| 18 | Türgriffe Door handles | 148336 | 7 |
| 19 | Inneneinrichtung BW Interior fittings | 145160 | 8 |
| 20 | Platine analog BW PLUX-22 PCB analog | 148758 | 19 |
| 21 | Brückenstecker PLUX-16 Jumper | 129630 | 10 |
| 22 | M-Kontaktfeder D=2,3 L=9,9 mm Contact spring | 116812 | 3 |
| 23 | TS - Lichtnagel Part set - Light pin | 145173 | 6 |
| 24 | Kardanschale Motor Motor cardan reception | 145383 | 4 |
| 25 | Kardanwelle L=20 mm Cardan shaft | 100260 | 4 |
| 26 | SK - Schraube M 1,6x4 mm SK - Screw | 115161 | 3 |
| 27 | Scheibenwischer Li.+Re. dopp. Wipers L+R double | 145387 | 6 |
| 28 | Decoderabdeckung Decoder cover | 148700 | 8 |
| 29 | Frontgriff Front handrails | 148626 | 7 |
| 30 | Puffergriffe Buffer handles | 148627 | 6 |
| Sound | | | |
| 31 | Platine Onboarddecoder MW PCB | 149114 | 18 |
| 32 | Lautsprecher Loudspeaker | 129524 | 13 |
| 33 | Platine digit. BW M152 PCB digital | 148759 | 16 |
| 34 | Decoder BW PLUX-16 Decoder | 145172 | 31 |

Änderungen in Konstruktion und Ausführung vorbehalten
We reserve the right to change the construction and specification



| Pos. Nr. Pos.no. | Beschreibung Description | Art.-Nr. Art.no. | Preisgruppe Price bracket |
|---------------------|---|---------------------|------------------------------|
| 70380 | SK-ZSSK M 152 | | |
| 70381 | | | |
| 1 | Grundrahmen MW Base frame | 148617 | 17 |
| 2 | Getriebebesatz 2tlg. Gear set 2 parts | 145137 | 10 |
| 3 | DG-Blende 1+2 MW Bogie frame | 148620 | 10 |
| 4 | TS - Deichsel Part set - Drawbar | 148621 | 6 |
| 5 | TS - Zylinder Part set - Cilinder | 148622 | 8 |
| 6 | Schnecken Zahnrad Z=19re./14ge. Wormgear | 86416 | 4 |
| 7 | Radkontakt Li.+Re. Wheel contact L+R | 145147 | 11 |
| 8 | Schneckensatz Worm gear set | 145148 | 13 |
| 9 | Lager f. Schneckenachse Worm gear axle housing | 89749 | 6 |
| 10 | Beilagscheibe 2,1x4 / 0,2 mm Washer | 86108 | 3 |
| 11 | Zugfeder D=2,5 L=2,7/5,8 mm Draw spring | 86208 | 3 |
| 12 | SK - Schraube M 1,6x7 mm SK - Screw | 116493 | 3 |
| 13 | Standardkupplung Standard coupling | 89246 | 6 |
| 14 | Radsatz m.Zahn. o.Haftr. Wheelset w.gearwh. w/o traction tyre | 148624 | 11 |
| 15 | Grundrahmen BW Base frame | 148628 | 10 |
| 16 | Puffer MW Buffer | 146974 | 4 |
| 17 | TS-Bremsschläuche und Zughaken Part set brake tubes & coupling hooks | 139832 | 7 |
| 18 | TS - DG-Blende BW Part set - Bogie frame | 148629 | 10 |
| 19 | Radkontakt Li.+Re. BW Wheel contact L+R | 145163 | 10 |
| 20 | Radsatz o.Zahn. o.Haftr. BW Wheelset w/o gearwh. w/o traction tyre | 148630 | 10 |
| 21 | Puffer BW Buffer | 145397 | 5 |
| 22 | Zurüstbeutel Bag of accesories | 148633 | 12 |
| 23 | Kurzkupplung Short coupling | 115550 | 6 |
| 24 | Tafelsätze Set of panels | 148634 | 24 |
| 25 | GF - Schraube M 1,6x4 mm GF - Screw | 114850 | 3 |
| 26 | TS - Abdeckungen Part set - Covers | 148623 | 7 |
| 27 | Klebe-Etiketten "WC" (ohne Abb.) Stickers (no ill.) | 148326 | 9 |